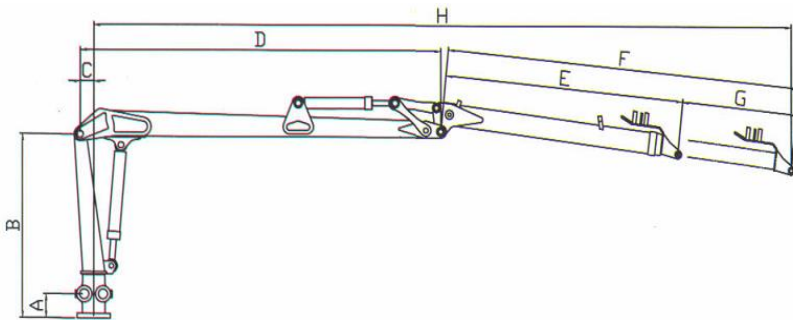


## US Conversion of Metric Measures on Farmi Loaders

Model	Reach					Max. Reach
	9'	13'	16'	19'	22'	
HK2740	1600	1300				1120(13'2")
CR40	1631	1290	1113	925		946(21'11")
CR46	2105	1675	1355	1135	980	930(22'11")
HK4571	2491	2017	1578	1323	1091	1080(23'4")
HK4581	2425	1929	1510	1246	1014	882(26'6")
HK5871	2866	2204	1763	1223	1003	910(23'4")
HK5881	2821	2138	1675	1157	925	800(26'6")
HK6167	3417	2657	2050	1710		1510(21'11")
HK6185	3285	2524	1885	1590	1356	1015(27'10")
HK8070	4189	3307	2650	2050	1750	1740(22'11")
HK8085	3549	3120	2635	2120	1500	1375(27'10")

\* All Lifting Capacities are Estimated: Manufacturer Reserves the Right to Make Changes



### Crane Dimensions

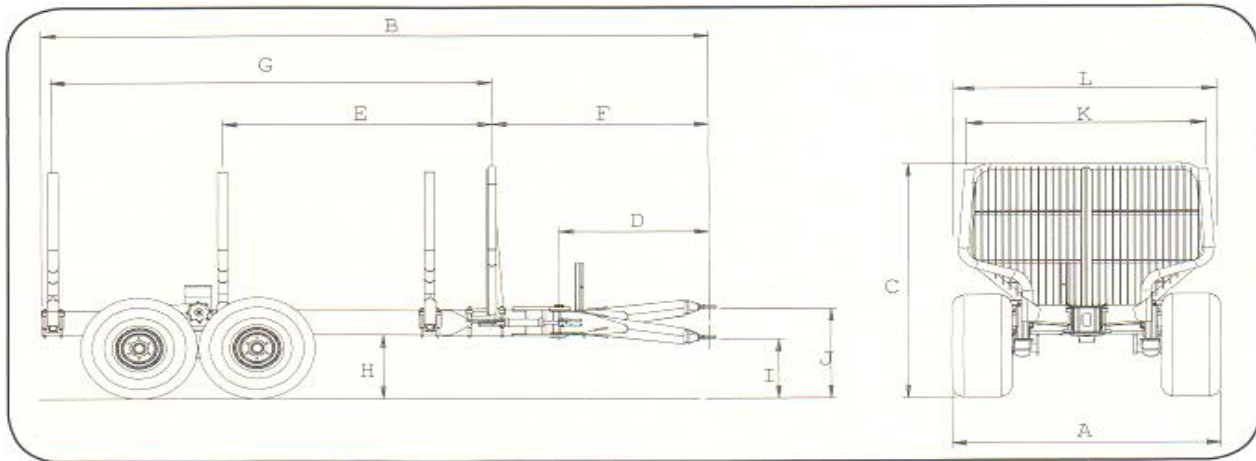
Model	A	B	C	D	E	F	G	H
HK2740	n/a	4'3"	n/a	7'8"	5'4"	n/a	n/a	12'11"
CR40	6"	4'8"	3"	10'8"	6'8"	11'6"	5'11"	22'
CR46	8"	5'9"	4"	10'8"	7'4"	12'5"	4'11"	22'11"
HK4571	8"	5'9"	4"	10'8"	7'4"	12'8"	5'4"	23'4"
HK4581	8"	5'9"	4"	10'8"	7'4"	15'10"	8'6"	26'6"
HK5871	8"	5'9"	4"	10'8"	7'4"	12'8"	5'4"	23'4"
HK5881	8"	5'9"	4"	10'8"	7'4"	15'10"	8'6"	26'6"
HK6167	8"	5'4"	4"	9'10"	6'9"	12'5"	5'8"	22'
HK6185	8"	5'4"	4"	9'10"	7'2"	18'4"	11'3"	27'10"
HK8070	8"	5'9"	4"	10'8"	7'4"	12'5"	4'11"	22'11"
HK8085	8"	5'9"	4"	9'10"	7'2"	18'4"	11'3"	27'10"

### Technical Data

	HK2740	CR40	CR46	HK4571	HK4581	HK6167	HK6185	HK8070	HK8085
Maximum Reach	13'2"	22'	22'11"	23'4"	26'6"	22'	27'10"	22'11"	27'10"
Weight of Grapple & Rotator (lbs.)	231	231	231	255	231	418	418	530	530
Grapple Max. Openings	43"	43"	43"	60	43"	53"	53"	55"	55"
Slew Rotation	370	360	380	400	400	400	400	370	370
Grapple Rotation	Continuous								
Weight w/Grapple & Rotator (lbs.)	1200	1620	1930	2325	2450	2725	2855	3250	3540
Weight of Adaptor Legs (lbs.)	340	650	650	800	800	800	800	800	800
Total Weight Inc. Outriggers* (lbs.)	1540	2270	2580	2915	3040	3315	3445	3900	4190
Rec. Pump Capacity (gpm)	5-8	7-14	8-16	8-16	8-16	15-26	15-26	18-26	18-26
Working Pressure (psi)	2610	2610	2610	2828	2828	2828	2828	2828	2828
Extensions	N/A	1	1	1	2	1	2	1	2
Three-Point Linkage	N/A	Standard	Standard	N/A	N/A	N/A	N/A	N/A	N/A



## US Conversion of Metric Measures on Farmi Trailers



Technical Data						
	Farmi 70	Farmi FT9	Farmi FT10	Vario 101	Vario 121	PROF 4WD
<b>Load Capacity (lbs)</b>	15,400	19,800	22,000	24,200	28,600	26400
<b>Load Area (Sq. Ft.)</b>	17	20	25	26	28	28
<b>Weight (lbs)</b>	n/a	2875	3275	4050	4800	8000
<b>Frame Dimensions (in.)</b>	6.25x6.25	6.25x6.25	7.75x7.75	7.75x7.75	9.75x9.75	9.75x9.75
<b>Standard Tire Size</b>	11.5/80-11.3	400/60-15.5	400/60-15.5	500/55-17	550/45-22.5	600/55-22.5
<b>Recommended Loaders</b>	HK2740	CR40 CR46	CR40 CR46	HK4571 HK4581	HK6167 HK6185	HK8070 HK8085
<b>Options</b>						
<b>Hydraulic Brakes</b>	Optional	Optional	Standard	Optional	Optional	Standard
<b>Air Brakes</b>	N/A	N/A	N/A	Optional	Optional	N/A
<b>Hydraulic Steering</b>	N/A	Standard	Standard	Standard	Standard	Standard
<b>Hydraulic Pump</b>	N/A	N/A	N/A	Optional	Optional	Standard
<b>4 Wheel Assist</b>	N/A	N/A	N/A	Optional	Optional	N/A
<b>2 Wheel Drive</b>	N/A	N/A	N/A	Optional	Optional	N/A
<b>4 Wheel Drive</b>	N/A	N/A	N/A	N/A	N/A	Standard
<b>Measurements (in.)</b>						
<b>A</b>	71	82	87	87	90	90
<b>B</b>	173	228	238	237	243	243
<b>C</b>	71	80	86	87	93	93
<b>D</b>	N/A	54	44	51	54	54
<b>E</b>	134	N/A	94	107	117	117
<b>F</b>	52	80	75	80	83	83
<b>G</b>	102	147	156	154	186	186
<b>H</b>	N/A	22	22	22	26	26
<b>I</b>	20	20	20	20	25	25
<b>J</b>	N/A	N/A	32	32	37	37
<b>L</b>	61	69	81	87	86	86

Distributed By:



**Northeast Implement**

Spencer, New York

[www.northeastimplement.com](http://www.northeastimplement.com)

[www.forwardingtrailers.com](http://www.forwardingtrailers.com)

[sales@northeastimplement.com](mailto:sales@northeastimplement.com)

888-589-6160



Revised: 12/4/2017